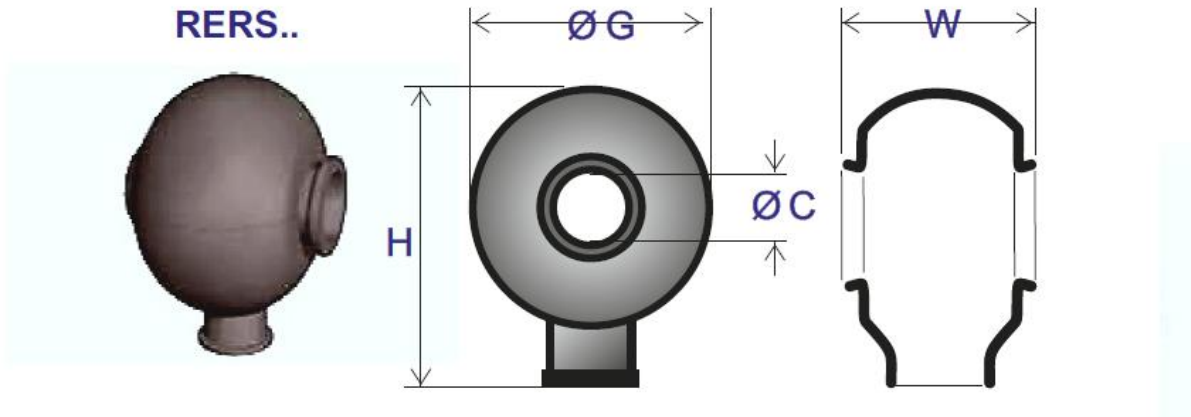


## ROD END BOOT REFERENCE CHART



Part #	Standard Size	C	G	H	W	Metric Size	C	G	H	W
RERS1	3/16", 1/4", 5/16"	.315	1.060	1.300	1.040	6mm, 8mm	8	27	32.5	26.5
RERS2	3/8", 7/16"	.394	1.320	1.540	1.280	10mm, 12mm	10	33.5	39	32.5
RERS3	1/2", 5/8", 3/4"	.551	1.710	2.000	1.540	14mm, 16mm, 18mm	14	43.5	51	39
RERS4	7/8", 1"	.749	2.200	2.480	1.810	20mm, 22mm, 25mm	19	56	63	46
RERS5	1 1/4"	1.140	3.070	3.350	2.360	30mm, 35mm	29	78	85	60